

PLEASE CHECK WWW.MOLEX.COM FOR LATEST PART INFORMATION

Part Number: **0740296000**
Status: **Active**
Overview: vhdm
Description: 2.00mm (.079") Pitch VHDM® Board-to-Board Backplane Receptacle Power Module, Vertical, 6-Row, 2 Circuits, Gold (Au) Selective 0.76µm (30µ")

Documents:

[3D Model](#) [Product Specification PS-74031-999 \(PDF\)](#)
[Drawing \(PDF\)](#) [RoHS Certificate of Compliance \(PDF\)](#)
[Packaging Specification \(PDF\)](#)

Agency Certification

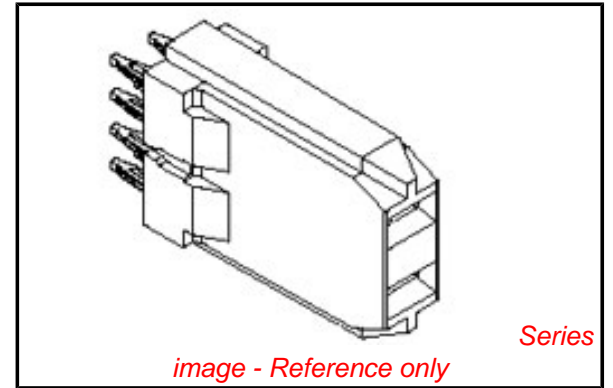
UL E29179

General

Product Family Backplane Connectors
Series [74029](#)
Application Backplane
Application Tooling Documents [Tooling Manual](http://www.molex.com/pdm_docs/ats/TM-622010999.pdf)
Comments Backplane Receptacle Module, Power
Component Type Power Receptacle
Overview [vhdm](#)
Product Name VHDM®
Style N/A

Physical

Circuits (Loaded) 2
Circuits (maximum) 2
Color - Resin Black
Durability (mating cycles max) 200
First Mate / Last Break No
Flammability 94V-0
Guide to Mating Part No
Keying to Mating Part None
Material - Metal High Performance Alloy (HPA)
Material - Plating Mating Gold
Material - Plating Termination Tin-Lead
Material - Resin High Temperature Thermoplastic
Number of Columns N/A
Number of Pairs Open Pin Field
Number of Rows 6
Orientation Vertical
PC Tail Length (in) 0.110 In
PC Tail Length (mm) 2.80 mm
PCB Locator No
PCB Retention None
PCB Thickness Recommended (in) 0.070 In
PCB Thickness Recommended (mm) 1.80 mm
Packaging Type Tube
Pitch - Mating Interface (in) 0.079 In
Pitch - Mating Interface (mm) 2.00 mm
Pitch - Term. Interface (in) 0.157 In
Pitch - Term. Interface (mm) 4.00 mm
Plating min: Mating (µin) 30
Plating min: Mating (µm) 0.75



EU RoHS

RoHS Compliant by Exemption

REACH SVHC

Contains SVHC: No

Halogen-Free

Status

Halogen-Free

China RoHS



Need more information on product environmental compliance?

Email productcompliance@molex.com
For a multiple part number RoHS Certificate of Compliance, [click here](#)

Please visit the [Contact Us](#) section for any non-product compliance questions.

Search Parts in this Series

[74029Series](#)

Mates With

[74026 VHDM® Board-to-Board Daughtercard Receptacle](#)

Application Tooling | FAQ

Tooling specifications and manuals are found by selecting the products below. Crimp Height Specifications are then contained in the Application Tooling Specification document.

Global

Description	Product #
VHDM® Backplane 6 and 8 Row Power Module Insertion Tool	0622020211

Plating min: Termination (μ in)	15
Plating min: Termination (μ m)	0.375
Polarized to PCB	Yes
Stackable	No
Surface Mount Compatible (SMC)	Yes
Temperature Range - Operating	-55°C to +105°C
Termination Interface: Style	Through Hole - Compliant Pin

Electrical

Current - Maximum per Contact	10A
Data Rate	2.5 Gbps
Real Signals (per 25mm)	72
Shielded	No
Voltage - Maximum	250V

Material Info

Reference - Drawing Numbers

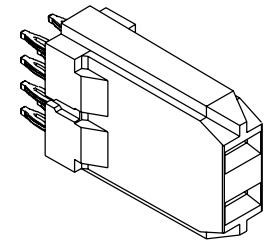
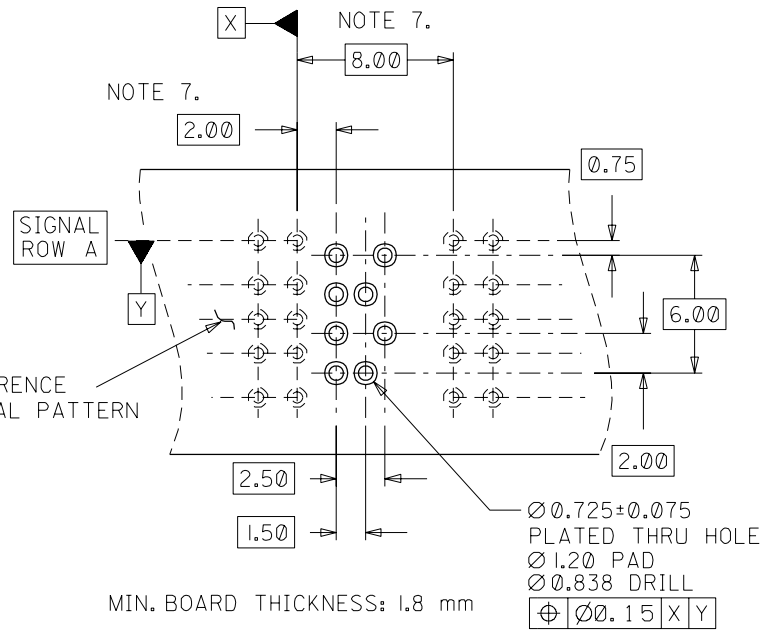
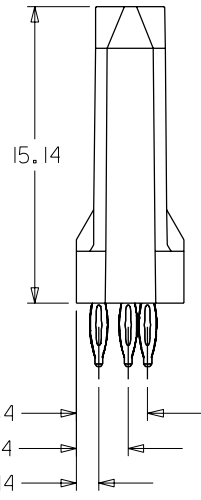
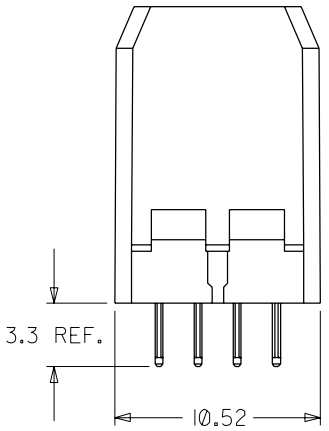
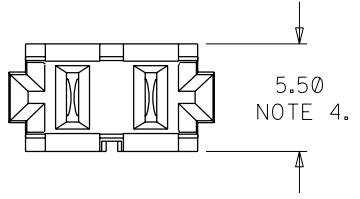
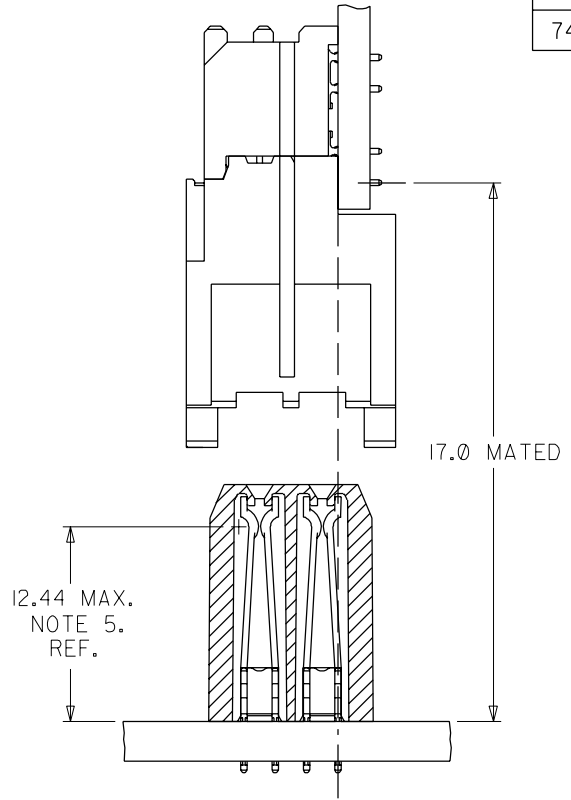
Packaging Specification	PK-70873-0876
Product Specification	PS-74031-999
Sales Drawing	SD-74029-006, SD-74029-011

VHDM and Very High Density Metric are trademarks of Amphenol Corporation

This document was generated on 05/19/2010

PLEASE CHECK WWW.MOLEX.COM FOR LATEST PART INFORMATION

ASSEMBLY #	CONTACT PLATING
74029-6000	SEE NOTE 2.
74029-6050	SEE NOTE 3.

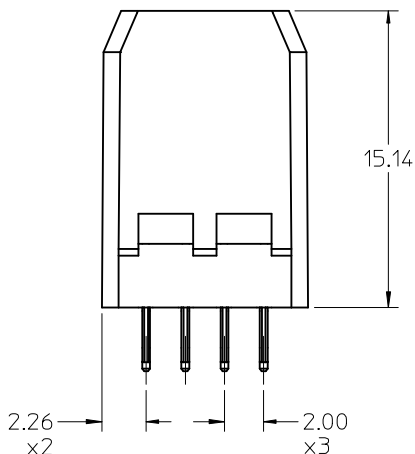
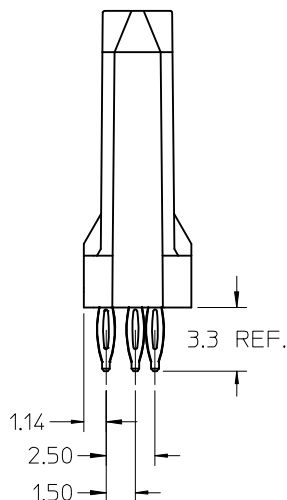
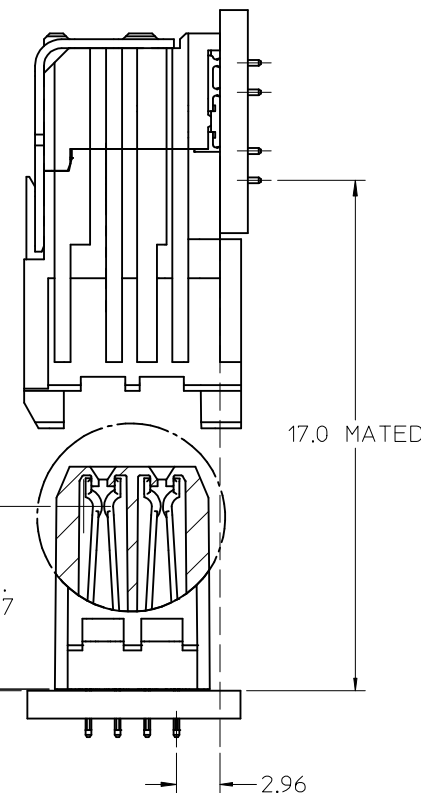
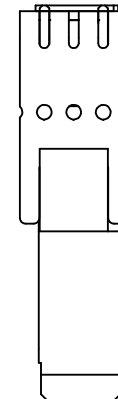
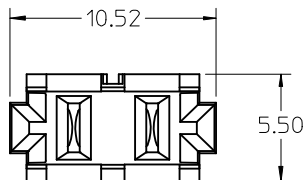


- NOTES:
1. MATERIALS: HOUSING - GLASS FILLED LIQUID CRYSTAL POLYMER, UL 94V-0, BLACK; TERMINAL - COPPER ALLOY.
 2. FINISH: SELECT GOLD IN CONTACT AREA, 30 microINCH THICK; TIN/LEAD IN COMPLIANT AREA.
 3. FINISH: SELECT GOLD IN CONTACT AREA, 50 microINCH THICK; TIN/LEAD IN COMPLIANT AREA.
 4. USE 6.0 mm NOMINAL FOR BACKPLANE LAYOUT.
 5. DIMENSION IS MEASURED FROM BOTTOM OF HOUSING.
 6. PACKED PER PK-70873-0876.
 7. THIS DIMENSION TO BE MULTIPLE OF 2.00 mm AS REQUIRED.

INITIAL RELEASE EC NO. LDT2001-0940 DRWN: ELO 01/05/02 CHK: GORSKI 01/05/03 APPR: BIXLER 01/05/07	DESCRIPTION MAJOR CRITICAL	QUALITY SYMBOLS		GENERAL TOLERANCES: (UNLESS SPECIFIED)		SCALE 4 : 1	DESIGN UNITS <input checked="" type="checkbox"/> mm <input type="checkbox"/> INCH	DIMENSIONS: <input type="checkbox"/> mm <input type="checkbox"/> INCH <input checked="" type="checkbox"/> mm ONLY		SHT	REV
		mm	INCH	4 PLACES ±0.	±.	DRAWN BY & DATE ELO 01/50/02	THIRD ANGLE PROJECTION		TITLE: HSD POWER 5 ROW BACKPLANE SALES ASSEMBLY		
A	REV	ANGULAR: ± °		3 PLACES ±0.	±.	CHECKED BY & DATE GORSKI 01/05/03	MATERIAL NO. SEE CHART		DRAWING NO. SD-74029-006		SHEET NO. 1 OF 1
		DRAFT WHERE APPLICABLE MUST REMAIN WITHIN DIMENSIONS		2 PLACES ±0.	±.	APPROVED BY & DATE BIXLER 01/05/07	MOLEX INCORPORATED		SIZE B		
				1 PLACE ±0.	±.	CAD FILENAME SD-74029-006.S01	THIS DRAWING CONTAINS INFORMATION THAT IS PROPRIETARY TO MOLEX INCORPORATED AND SHOULD NOT BE USED WITHOUT WRITTEN PERMISSION.				

NOTES:

1. MATERIALS:
HOUSING - LIQUID CRYSTAL POLYMER (LCP),
UL94 V-0, COLOR: BLACK.
TERMINAL - COPPER ALLOY
2. FINISH: 30 μ IN MIN. GOLD ON MATING SURFACE;
TIN/LEAD ON TAILS; NICKEL UNDERPLATE.
3. FINISH: 50 μ IN MIN. GOLD ON MATING SURFACE;
TIN/LEAD ON TAILS; NICKEL UNDERPLATE.
4. THIS PART CONFORMS TO PRODUCT SPECIFICATION
PS-74031-999.
5. SINGLE ROW ASSEMBLY PACKED PER PK-70873-0876.
6. MATES WITH 74026 SERIES DAUGHTERCARD POWER ASSEMBLY.
7. MATING INTERFACE MEASURED FROM BOTTOM OF HOUSING.



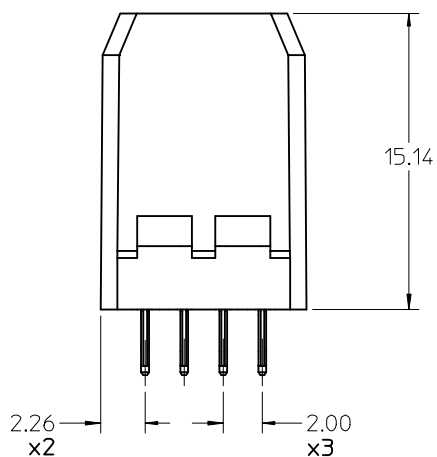
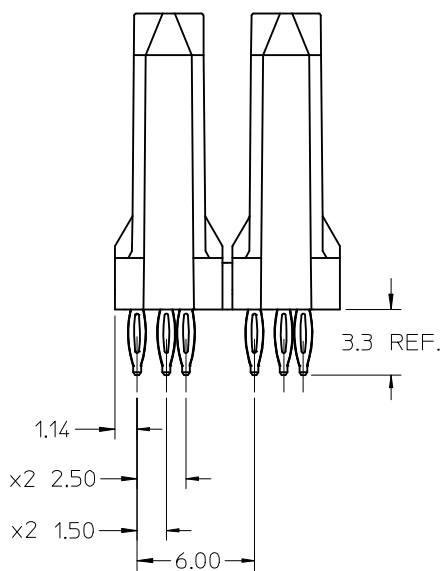
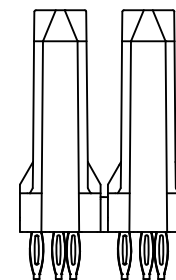
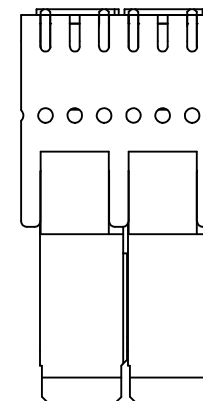
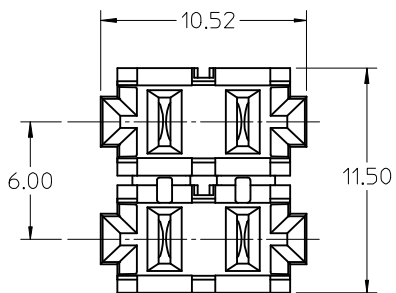
SINGLE ROW ASSEMBLY

MOLEX P/N	GOLD THICKNESS
74029-6000	30uin
74029-6050	50uin

ADD TOLERANCE EC NO: UCP2009-3005 DRWN: BSMART 2009/06/15 CHKD: SDANNELL 2009/06/16 APPR: SMILLER 2009/06/16	QUALITY SYMBOLS ▽ = 0 ∇ = 0	GENERAL TOLERANCES (UNLESS SPECIFIED) mm INCH 4 PLACES ± --- ± --- 3 PLACES ± --- ± --- 2 PLACES ± 0.25 ± --- 1 PLACE ± --- ± --- ANGULAR ± 5 °	SCALE 4:1 DESIGN UNITS METRIC DIMENSION STYLE MM ONLY DRAWN BY DATE ELO 2003/07/14 CHECKED BY DATE STANFORD 2003/07/17 APPROVED BY DATE BIXLER 2003/07/21	THIRD ANGLE PROJECTION REVISE ON CAD ONLY TITLE VHDM/HSD POWER 6 ROW BACKPLANE SALES ASSEMBLY MOLEX MOLEX INCORPORATED MATERIAL NO. DOCUMENT NO. SHEET NO. SEE CHART SD-74029-011 1 OF 3
			DRAFT WHERE APPLICABLE MUST REMAIN WITHIN DIMENSIONS	THIS DRAWING CONTAINS INFORMATION THAT IS PROPRIETARY TO MOLEX INCORPORATED AND SHOULD NOT BE USED WITHOUT WRITTEN PERMISSION

NOTES:

1. THIS DESIGN INTENDED AS OPTION TO HAVING TWO SINGLE ROW MODULES NEXT TO EACH OTHER.
2. FINISH: 30 μ IN GOLD ON MATING SURFACE; TIN/LEAD ON TAILS; NICKEL UNDERPLATE.
3. FINISH: 50 μ IN GOLD ON MATING SURFACE; TIN/LEAD ON TAILS; NICKEL UNDERPLATE.
4. DUAL ROW ASSEMBLIES PACKED PER PK-70873-545.

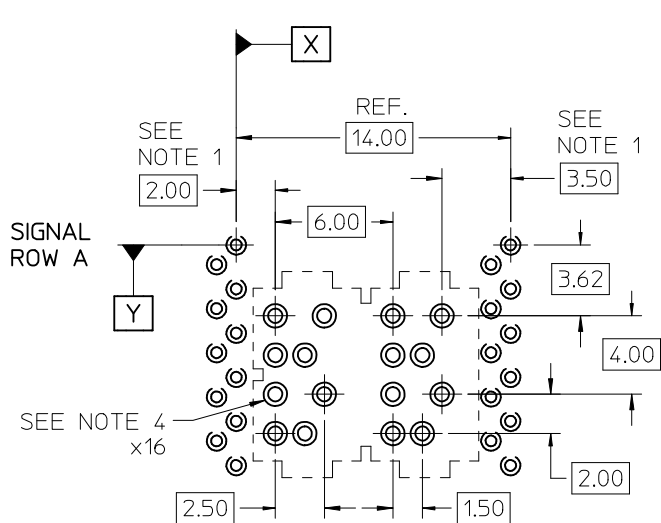


DUAL ROW ASSEMBLY

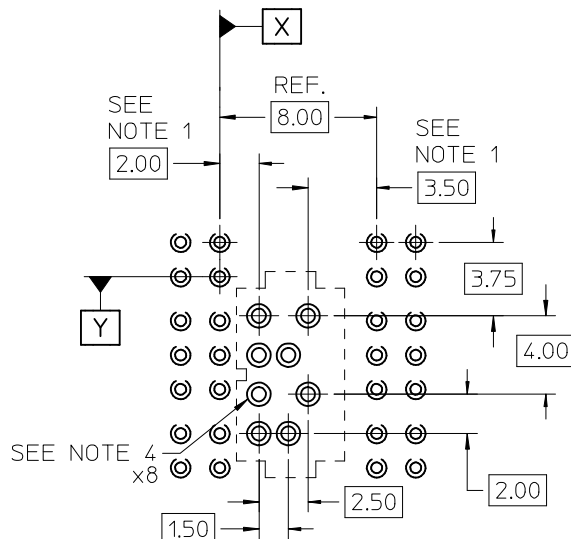
MOLEX P/N	CONTACT PLATING
74029-6002	SEE NOTE 2.
74029-6052	SEE NOTE 3.

SEE SHEET 1 EC NO: UCP2009-3005 DRWN: BSMART 2009/06/15 CHKD: SDANNELL 2009/06/16 APPR: SMILLER 2009/06/16	QUALITY SYMBOLS	GENERAL TOLERANCES (UNLESS SPECIFIED)	SCALE 4:1	DESIGN UNITS METRIC	THIRD ANGLE PROJECTION	REVISE ON CAD ONLY	
	DESCRIPTION ▽ = 0 ∇ = 0	mm	INCH	DIMENSION STYLE MM ONLY		TITLE	
		4 PLACES ± --- ± ---	3 PLACES ± --- ± ---	DRAWN BY DATE ELO 2003/07/14		VHDM/HSD POWER 6 ROW BACKPLANE SALES ASSEMBLY MOLEX INCORPORATED	
	2 PLACES ± 0.25 ± ---	1 PLACE ± --- ± ---	CHECKED BY DATE STANFORD 2003/07/17				
	ANGULAR ± 5 °	DRAFT WHERE APPLICABLE	APPROVED BY DATE BIXLER 2003/07/21	MATERIAL NO.	DOCUMENT NO.	SHEET NO.	
	MUST REMAIN WITHIN DIMENSIONS			SEE CHART	SD-74029-011	2 OF 3	
			THIS DRAWING CONTAINS INFORMATION THAT IS PROPRIETARY TO MOLEX INCORPORATED AND SHOULD NOT BE USED WITHOUT WRITTEN PERMISSION				

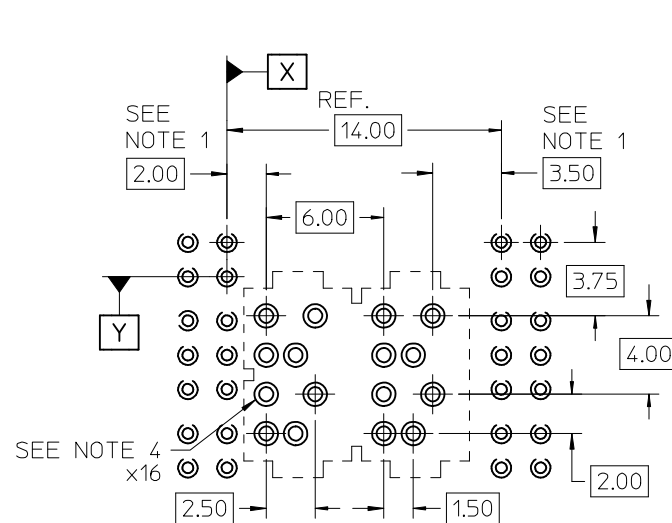
BOARD LAYOUTS: 1.8 mm MIN. BOARD THICKNESS



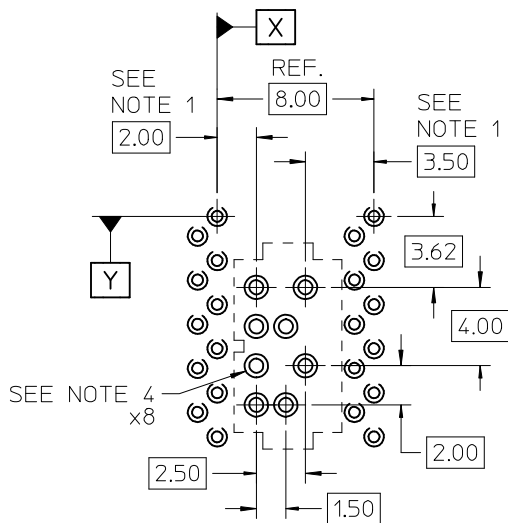
VHDM DUAL ROW POWER



VHDM-HSD SINGLE ROW POWER



VHDM-HSD DUAL ROW POWER



VHDM SINGLE ROW POWER

NOTES:

1. ADDITIONAL SPACING CAN BE ADDED IN MULTIPLES OF 2.0 mm AS REQUIRED. FOR EACH ADDITIONAL SINGLE ROW POWER, ADD 6.00 mm.
2. SIGNAL ROW A IS IN LINE WITH DATUM Y IN ALL FOUR LAYOUTS.
3. FOUR HOLES ARE USED PER POWER CONTACT.
4. EACH POWER HOLE TO BE MANUFACTURED AS FOLLOWS:

- Ø0.725±0.075 PLATED THROUGH HOLE
- Ø1.20 PAD
- Ø0.838 DRILL
- ⊕ 0.10 X Y

SEE SHEET 1 EC NO: UCP2009-3005 DRWN: BSMART 2009/06/15 CHKD: SDANNELZ09/06/16 APPR: SWILLER 2009/06/16	QUALITY SYMBOLS	GENERAL TOLERANCES (UNLESS SPECIFIED)	SCALE 4:1	DESIGN UNITS METRIC	THIRD ANGLE PROJECTION	REVISE ON CAD ONLY	
	DESCRIPTION ▽ - 0 ∇ - 0	mm	INCH	DIMENSION STYLE MM ONLY		TITLE VHDM/HSD POWER 6 ROW BACKPLANE SALES ASSEMBLY	
		4 PLACES ± --- ± ---	3 PLACES ± --- ± ---	DRAWN BY ELO	DATE 2003/07/14		
		2 PLACES ± 0.25 ± ---	1 PLACE ± --- ± ---	CHECKED BY STANFORD	DATE 2003/07/17	MOLEX INCORPORATED MATERIAL NO. SEE SHT 1 & 2 DOCUMENT NO. SD-74029-011 SHEET NO. 3 OF 3	
	ANGULAR ± 5 °		APPROVED BY BIXLER	DATE 2003/07/21			
	DRAFT WHERE APPLICABLE MUST REMAIN WITHIN DIMENSIONS		THIS DRAWING CONTAINS INFORMATION THAT IS PROPRIETARY TO MOLEX INCORPORATED AND SHOULD NOT BE USED WITHOUT WRITTEN PERMISSION				